



Air riveter
R2A1/R2A2

Tough, Easy-to-Use, Next-Generation Air Riveter

High durability
Hydraulic oil filling required
less often than previous model.

In testing, less than 0.2 mm
stroke loss after 1,000,000 strokes
ergonomic grip

Ergonomic grip



R2A1

R2A2

Easy to hold and use without
becoming uncomfortable

Rounded edges

Lightweight

Designed to be
user-friendly

Improved functionality

Long stroke
(R2A1:19mm R2A2:25mm)



Impressively long stroke despite
the compact size of the riveter.

Dual Material molded
ergonomic grip



The durable rubber grip can be
held in either hand without
slipping or causing fatigue.

Interchangeable LR
air supply ports



The R2A1 has air supply ports
on both sides that can be used
interchangeably to accommodate
any application.

Improved safety

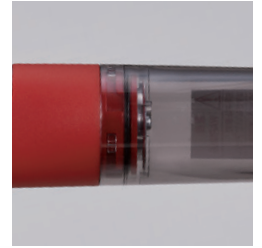
Protective cover on cylinder cup

Equipped as a standard feature, this protective cover prevents damage to the tool and workpieces.



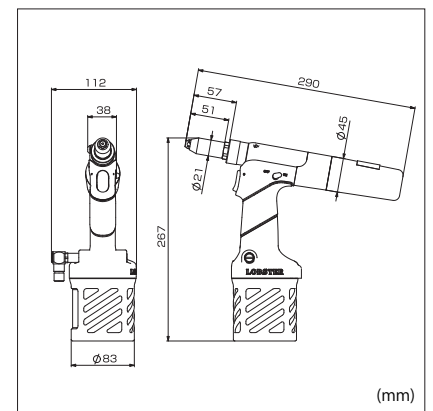
Mandrel shutter

As an improved safety feature, this shutter eliminates the risk of mandrels ejecting out when the tank case is not mounted on the riveter and the vacuum is off.

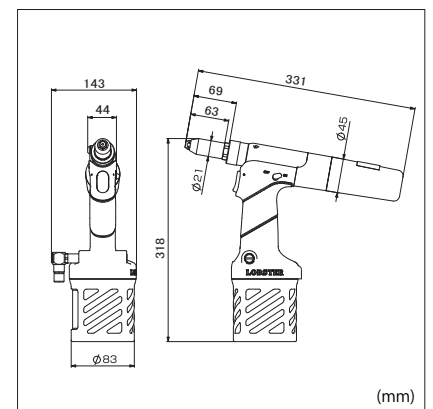


TECHINICAL DATA

Model No.	R2A1
Product weight (kg)	1.25kg ※1
User range	Φ2.4、Φ3.2、Φ4.0、Φ4.8、(All types listed in Lobtex catalog) *Optional support : high-strength rivets NSTB
Stroke (mm)	19 mm
Used air pressure MPa	0.5 ~ 0.6 MPa
Output	9.0kN (Traction power at 0.6 MPa)
Sound	Pressure level (Lpa) 75dB or less
Air Consumption	Max. 82 L/min (Suction at 0.6 MPa)
Package Item	nosepiece (Φ2.4、Φ3.2、Φ4.0、Φ4.8) , guide pipe (Φ2.4、Φ3.2)



Model No.	R2A2
Product weight (kg)	2.0kg ※1
User range	Φ4.8、Φ6.4 (All type listed in Lobtex catalog) *Optional support: High-strength rivets S
Stroke (mm)	25mm
Used air pressure MPa	0.5 ~ 0.6 MPa
Output	18.5kN (Traction power at 0.6MPa)
Sound	Pressure level (Lpa) 80dB
Air Consumption	Max. 105 L/min (Suction at 0.6MPa)
Package Item	nosepiece (Φ4.8、Φ6.4)



※ 1 ...Excluding cup cover

⚠ Caution for secure usage

- Be sure to read the instruction Manual and important Usage Advisory carefully and make sure that you understand them thoroughly before using this tool.
- Be sure to use under conditions outlined in the manual.
- Always wear eye protection when using rivet tools

- All dimensions are nominal and subject to tolerances.
- Specification are subject to change without prior notice.

View the
Instruction
Manual here



Monodzukuri solutions for professionals.
Monodzukuri fun for everyone.

LOBTEX CO., LTD.

HP <https://www.lobtex.co.jp/tabid/130/Default.aspx>